

## 599 Series Powermite and Zone Valve Actuator Weather Shield

### Product Description

The 599 Series Powermite and Zone Valve Actuator weather shield provides additional protection against the elements for actuators in outdoor installations. The cover is easy to install, with all necessary hardware included in the assembly kit.

#### NOTES:

- This unit is approved for outdoor installation only when a weatherproof conduit connector is used.
- The weather shield provides NEMA 3R protection against rain, sleet and damage from external ice formation when installed in the orientation shown in Figure 3.


### Contents

- 1 - Weather shield side, male (bottom)
- 1 - Weather shield side, female (top)
- 4 - UV resistant cable ties

### Product Number

599-10077

### Caution Notation

<b>CAUTION:</b>		Equipment damage, or loss of data may occur if you do not follow procedures as specified.
-----------------	---	---

### Required Tool

Conduit knockout punch

### Expected Installation Time

15 minutes

### Installation

1. Punch a hole through weather shield at the preferred conduit location.
2. Install male side (bottom) of weather shield over valve. See Figure 1.

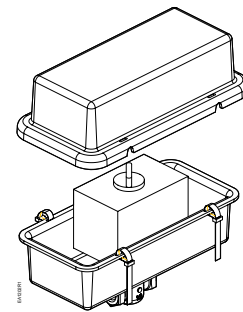


Figure 1.

3. Install actuator on to valve. See Figure 1.  
**NOTE:** See Figure 3 for mounting restrictions.
4. Connect conduit to weather shield using a weatherproof conduit connection.
5. Wire actuator according to installation instructions.
6. Place female side (top) of weather shield over bottom of installed weather shield (male side).
7. Align holes in the weather shield side flanges and secure with four cable ties. See Figure 2.

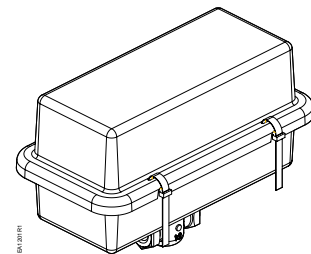


Figure 2. Installed Weather Shield.



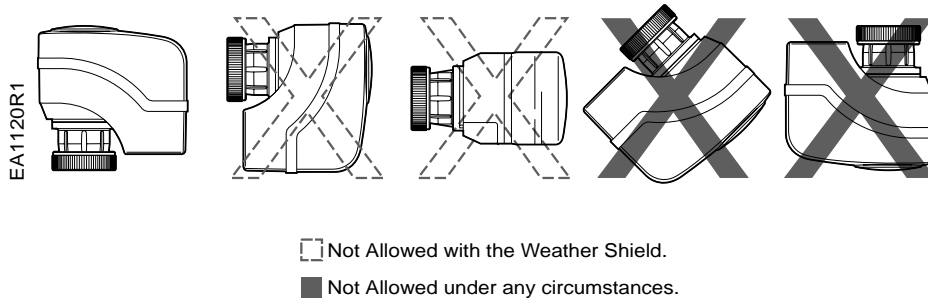
#### CAUTION:

Over-tightening cable ties can damage the assembly.

The installation is now complete.

## Mounting

The actuator and Weather Shield must be mounted vertically to ensure NEMA 3R rating.



**Figure 3. Acceptable Mounting Position.**

Information in this publication is based on current specifications. The company reserves the right to make changes in specifications and models as design improvements are introduced. Other product or company names mentioned herein may be the trademarks of their respective owners.  
© 2005 Siemens Building Technologies, Inc.