

# 2 to 12" Siemens butterfly

## 2-way Pneumatic SR

Normally Closed (Fail Closed)				Normally Open (Fail Open)		
Cv	Size	150 psi Close-off	100 psi Close-off - 4-6 50 psi Close-off - 8-12	150 psi Close-off	100 psi Close-off - 4-6 50 psi Close-off - 8-12	
		Part No.	Part No.	Part No.	Part No.	
60	2"	BV2W02FS2LCXXX	—	BV2W02FS2LOXXX	—	Base Model
151	2-1/2"	BV2W25FS2LCXXX	—	BV2W25FS2LOXXX	—	
262	3"	BV2W03FS2LCXXX	—	BV2W03FS2LOXXX	—	
647	4"	BV2W04FS2LCXXX	BV2W04US2LCXXX	BV2W04FS2LOXXX	BV2W04US2LOXXX	
1141	5"	BV2W05FS2LCXXX	BV2W05US2LCXXX	BV2W05FS2LOXXX	BV2W05US2LOXXX	
1160*/1580	6"	BV2W06FS2LCXXX	BV2W06US2LCXXX	BV2W06FS2LOXXX	BV2W06US2LOXXX	
1754*	8"	—	BV2W08US2LCXXX	—	BV2W08US2LOXXX	
2524*	10"	—	BV2W10US2LCXXX	—	BV2W10US2LOXXX	
3470*	12"	—	BV2W12US2LCXXX	—	BV2W12US2LOXXX	
60	2"	BV2W02FS2LCPXXX	—	BV2W02FS2LOPXXX	—	Positioner
151	2-1/2"	BV2W25FS2LCPXXX	—	BV2W25FS2LOPXXX	—	
262	3"	BV2W03FS2LCPXXX	—	BV2W03FS2LOPXXX	—	
647	4"	BV2W04FS2LCPXXX	BV2W04US2LCPXXX	BV2W04FS2LOPXXX	BV2W04US2LOPXXX	
1141	5"	BV2W05FS2LCPXXX	BV2W05US2LCPXXX	BV2W05FS2LOPXXX	BV2W05US2LOPXXX	
1160*/1580	6"	BV2W06FS2LCPXXX	BV2W06US2LCPXXX	BV2W06FS2LOPXXX	BV2W06US2LOPXXX	
1754*	8"	—	BV2W08US2LCPXXX	—	BV2W08US2LOPXXX	
2524*	10"	—	BV2W10US2LCPXXX	—	BV2W10US2LOPXXX	
3470*	12"	—	BV2W12US2LCPXXX	—	BV2W12US2LOPXXX	
60	2"	BV2W02FS2LCTXXX	—	BV2W02FS2LOTXXX	—	120 V E/P Valve
151	2-1/2"	BV2W25FS2LCTXXX	—	BV2W25FS2LOTXXX	—	
262	3"	BV2W03FS2LCTXXX	—	BV2W03FS2LOTXXX	—	
647	4"	BV2W04FS2LCTXXX	BV2W04US2LCTXXX	BV2W04FS2LOTXXX	BV2W04US2LOTXXX	
1141	5"	BV2W05FS2LCTXXX	BV2W05US2LCTXXX	BV2W05FS2LOTXXX	BV2W05US2LOTXXX	
1160*/1580	6"	BV2W06FS2LCTXXX	BV2W06US2LCTXXX	BV2W06FS2LOTXXX	BV2W06US2LOTXXX	
1754*	8"	—	BV2W08US2LCTXXX	—	BV2W08US2LOTXXX	
2524*	10"	—	BV2W10US2LCTXXX	—	BV2W10US2LOTXXX	
3470*	12"	—	BV2W12US2LCTXXX	—	BV2W12US2LOTXXX	
60	2"	BV2W02FS2LCUXXX	—	BV2W02FS2LOUXXX	—	24 V E/P Valve
151	2-1/2"	BV2W25FS2LCUXXX	—	BV2W25FS2LOUXXX	—	
262	3"	BV2W03FS2LCUXXX	—	BV2W03FS2LOUXXX	—	
647	4"	BV2W04FS2LCUXXX	BV2W04US2LCUXXX	BV2W04FS2LOUXXX	BV2W04US2LOUXXX	
1141	5"	BV2W05FS2LCUXXX	BV2W05US2LCUXXX	BV2W05FS2LOUXXX	BV2W05US2LOUXXX	
1580	6"	BV2W06FS2LCUXXX	BV2W06US2LCUXXX	BV2W06FS2LOUXXX	BV2W06US2LOUXXX	
1754	8"	—	BV2W08US2LCUXXX	—	BV2W08US2LOUXXX	
2524	10"	—	BV2W10US2LCUXXX	—	BV2W10US2LOUXXX	
3470	12"	—	BV2W12US2LCUXXX	—	BV2W12US2LOUXXX	

### Table Note

\*6-inch 150 psi and 8-, 10- and 12-inch only rotate to 70° max.

These selection tables only contain lug end connections with standard trim.

For complete selection, refer to the current edition of *Master HVAC Products Catalog*.

# 2 to 12" Siemens butterfly

## 2-way Pneumatic SR

		Assembly A		Assembly A		Assembly B		Assembly B	
Cv		150 psi Close-off		100 psi Close-off - 4-6 50 psi Close-off - 8-12		150 psi Close-off		100 psi Close-off - 4-6 50 psi Close-off - 8-12	
Run		Size	Part No.	Part No.	Part No.	Part No.	Part No.	Part No.	Part No.
58	54	2"	BV3W02FS2LAXXXX	—	—	BV3W02FS2LBXXXX	—	—	—
135	114	2-1/2"	BV3W25FS2LAXXXX	—	—	BV3W25FS2LBXXXX	—	—	—
165	148*	3"	BV3W03FS2LAXXXX	—	—	BV3W03FS2LBXXXX	—	—	—
419	348*	4"	BV3W04FS2LAXXXX	BV3W04US2LAXXXX	BV3W04US2LAXXXX	BV3W04FS2LBXXXX	BV3W04US2LBXXXX	BV3W04US2LBXXXX	BV3W04US2LBXXXX
740	600*	5"	BV3W05FS2LAXXXX	BV3W05US2LAXXXX	BV3W05US2LAXXXX	BV3W05FS2LBXXXX	BV3W05US2LBXXXX	BV3W05US2LBXXXX	BV3W05US2LBXXXX
1051	867*	6"	BV3W06FS2LAXXXX	BV3W06US2LAXXXX	BV3W06US2LAXXXX	BV3W06FS2LBXXXX	BV3W06US2LBXXXX	BV3W06US2LBXXXX	BV3W06US2LBXXXX
1661	1424*	8"	—	BV3W08US2LAXXXX	BV3W08US2LAXXXX	—	—	BV3W08US2LBXXXX	BV3W08US2LBXXXX
2439	2132*	10"	—	BV3W10US2LAXXXX	BV3W10US2LAXXXX	—	—	BV3W10US2LBXXXX	BV3W10US2LBXXXX
3401	3019*	12"	—	BV3W12US2LAXXXX	BV3W12US2LAXXXX	—	—	BV3W12US2LBXXXX	BV3W12US2LBXXXX
		Assembly C		Assembly C		Assembly D		Assembly D	
58	54	2"	BV3W02FS2LCXXXX	—	—	BV3W02FS2LDXXXX	—	—	—
135	114	2-1/2"	BV3W25FS2LCXXXX	—	—	BV3W25FS2LDXXXX	—	—	—
165	148*	3"	BV3W03FS2LCXXXX	—	—	BV3W03FS2LDXXXX	—	—	—
419	348*	4"	BV3W04FS2LCXXXX	BV3W04US2LCXXXX	BV3W04US2LCXXXX	BV3W04FS2LDXXXX	BV3W04US2LDXXXX	BV3W04US2LDXXXX	BV3W04US2LDXXXX
740	600*	5"	BV3W05FS2LCXXXX	BV3W05US2LCXXXX	BV3W05US2LCXXXX	BV3W05FS2LDXXXX	BV3W05US2LDXXXX	BV3W05US2LDXXXX	BV3W05US2LDXXXX
1051	867*	6"	BV3W06FS2LCXXXX	BV3W06US2LCXXXX	BV3W06US2LCXXXX	BV3W06FS2LDXXXX	BV3W06US2LDXXXX	BV3W06US2LDXXXX	BV3W06US2LDXXXX
1661	1424*	8"	—	BV3W08US2LCXXXX	BV3W08US2LCXXXX	—	—	BV3W08US2LDXXXX	BV3W08US2LDXXXX
2439	2132*	10"	—	BV3W10US2LCXXXX	BV3W10US2LCXXXX	—	—	BV3W10US2LDXXXX	BV3W10US2LDXXXX
3401	3019*	12"	—	BV3W12US2LCXXXX	BV3W12US2LCXXXX	—	—	BV3W12US2LDXXXX	BV3W12US2LDXXXX
		Assembly A		Assembly A		Assembly B		Assembly B	
58	54	2"	BV3W02FS2LAPXXX	—	—	BV3W02FS2LBPXXX	—	—	—
135	114	2-1/2"	BV3W25FS2LAPXXX	—	—	BV3W25FS2LBPXXX	—	—	—
165	148*	3"	BV3W03FS2LAPXXX	—	—	BV3W03FS2LBPXXX	—	—	—
419	348*	4"	BV3W04FS2LAPXXX	BV3W04US2LAPXXX	BV3W04US2LAPXXX	BV3W04FS2LBPXXX	BV3W04US2LBPXXX	BV3W04US2LBPXXX	BV3W04US2LBPXXX
740	600*	5"	BV3W05FS2LAPXXX	BV3W05US2LAPXXX	BV3W05US2LAPXXX	BV3W05FS2LBPXXX	BV3W05US2LBPXXX	BV3W05US2LBPXXX	BV3W05US2LBPXXX
1051	867*	6"	BV3W06FS2LAPXXX	BV3W06US2LAPXXX	BV3W06US2LAPXXX	BV3W06FS2LBPXXX	BV3W06US2LBPXXX	BV3W06US2LBPXXX	BV3W06US2LBPXXX
1661	1424*	8"	—	BV3W08US2LAPXXX	BV3W08US2LAPXXX	—	—	BV3W08US2LBPXXX	BV3W08US2LBPXXX
2439	2132*	10"	—	BV3W10US2LAPXXX	BV3W10US2LAPXXX	—	—	BV3W10US2LBPXXX	BV3W10US2LBPXXX
3401	3019*	12"	—	BV3W12US2LAPXXX	BV3W12US2LAPXXX	—	—	BV3W12US2LBPXXX	BV3W12US2LBPXXX
		Assembly C		Assembly C		Assembly D		Assembly D	
58	54	2"	BV3W02FS2LCPXXX	—	—	BV3W02FS2LDPXXX	—	—	—
135	114	2-1/2"	BV3W25FS2LCPXXX	—	—	BV3W25FS2LDPXXX	—	—	—
165	148*	3"	BV3W03FS2LCPXXX	—	—	BV3W03FS2LDPXXX	—	—	—
419	348*	4"	BV3W04FS2LCPXXX	BV3W04US2LCPXXX	BV3W04US2LCPXXX	BV3W04FS2LDPXXX	BV3W04US2LDPXXX	BV3W04US2LDPXXX	BV3W04US2LDPXXX
740	600*	5"	BV3W05FS2LCPXXX	BV3W05US2LCPXXX	BV3W05US2LCPXXX	BV3W05FS2LDPXXX	BV3W05US2LDPXXX	BV3W05US2LDPXXX	BV3W05US2LDPXXX
1051	867*	6"	BV3W06FS2LCPXXX	BV3W06US2LCPXXX	BV3W06US2LCPXXX	BV3W06FS2LDPXXX	BV3W06US2LDPXXX	BV3W06US2LDPXXX	BV3W06US2LDPXXX
1661	1424*	8"	—	BV3W08US2LCPXXX	BV3W08US2LCPXXX	—	—	BV3W08US2LDPXXX	BV3W08US2LDPXXX
2439	2132*	10"	—	BV3W10US2LCPXXX	BV3W10US2LCPXXX	—	—	BV3W10US2LDPXXX	BV3W10US2LDPXXX
3401	3019*	12"	—	BV3W12US2LCPXXX	BV3W12US2LCPXXX	—	—	BV3W12US2LDPXXX	BV3W12US2LDPXXX

Base Model

Positoner

### Table Note

\*3-through 12-inch valves only rotate 70° max.

### 3-way Assembly Configurations

#### Key

- F.C. Fail Closed
- F.O. Fail Open
- ACT Actuator Location



# 2 to 12" Siemens butterfly

## 3-way Pneumatic SR

		Assembly A		Assembly A		Assembly B		Assembly B	
Cv		150 psi Close-off		100 psi Close-off - 4-6 50 psi Close-off - 8-12		150 psi Close-off		100 psi Close-off - 4-6 50 psi Close-off - 8-12	
Run		Size	Part No.	Part No.	Part No.	Part No.	Part No.	Part No.	Part No.
58	54	2"	BV3W02FS2LATXXX	—	—	BV3W02FS2LBTXXX	—	—	—
135	114	2-1/2"	BV3W25FS2LATXXX	—	—	BV3W25FS2LBTXXX	—	—	—
165	148*	3"	BV3W03FS2LATXXX	—	—	BV3W03FS2LBTXXX	—	—	—
419	348*	4"	BV3W04FS2LATXXX	BV3W04US2LATXXX	—	BV3W04FS2LBTXXX	BV3W04US2LBTXXX	—	—
740	600*	5"	BV3W05FS2LATXXX	BV3W05US2LATXXX	—	BV3W05FS2LBTXXX	BV3W05US2LBTXXX	—	—
1051	867*	6"	BV3W06FS2LATXXX	BV3W06US2LATXXX	—	BV3W06FS2LBTXXX	BV3W06US2LBTXXX	—	—
1661	1424*	8"	—	BV3W08US2LATXXX	—	—	BV3W08US2LBTXXX	—	—
2439	2132*	10"	—	BV3W10US2LATXXX	—	—	BV3W10US2LBTXXX	—	—
3401	3019*	12"	—	BV3W12US2LATXXX	—	—	BV3W12US2LBTXXX	—	—
		Assembly C		Assembly C		Assembly D		Assembly D	
58	54	2"	BV3W02FS2LCTXXX	—	—	BV3W02FS2LDTXXX	—	—	—
135	114	2-1/2"	BV3W25FS2LCTXXX	—	—	BV3W25FS2LDTXXX	—	—	—
165	148*	3"	BV3W03FS2LCTXXX	—	—	BV3W03FS2LDTXXX	—	—	—
419	348*	4"	BV3W04FS2LCTXXX	BV3W04US2LCTXXX	—	BV3W04FS2LDTXXX	BV3W04US2LDTXXX	—	—
740	600	5"	BV3W05FS2LCTXXX	BV3W05US2LCTXXX	—	BV3W05FS2LDTXXX	BV3W05US2LDTXXX	—	—
1051	867*	6"	BV3W06FS2LCTXXX	BV3W06US2LCTXXX	—	BV3W06FS2LDTXXX	BV3W06US2LDTXXX	—	—
1661	1424*	8"	—	BV3W08US2LCTXXX	—	—	BV3W08US2LDTXXX	—	—
2439	2132*	10"	—	BV3W10US2LCTXXX	—	—	BV3W10US2LDTXXX	—	—
3401	3019*	12"	—	BV3W12US2LCTXXX	—	—	BV3W12US2LDTXXX	—	—
		Assembly A		Assembly A		Assembly B		Assembly B	
58	54	2"	BV3W02FS2LAUXXX	—	—	BV3W02FS2LBUXXX	—	—	—
135	114	2-1/2"	BV3W25FS2LAUXXX	—	—	BV3W25FS2LBUXXX	—	—	—
165	148*	3"	BV3W03FS2LAUXXX	—	—	BV3W03FS2LBUXXX	—	—	—
419	348*	4"	BV3W04FS2LAUXXX	BV3W04US2LAUXXX	—	BV3W04FS2LBUXXX	BV3W04US2LBUXXX	—	—
740	600*	5"	BV3W05FS2LAUXXX	BV3W05US2LAUXXX	—	BV3W05FS2LBUXXX	BV3W05US2LBUXXX	—	—
1051	867*	6"	BV3W06FS2LAUXXX	BV3W06US2LAUXXX	—	BV3W06FS2LBUXXX	BV3W06US2LBUXXX	—	—
1661	1424*	8"	—	BV3W08US2LAUXXX	—	—	BV3W08US2LBUXXX	—	—
2439	2132*	10"	—	BV3W10US2LAUXXX	—	—	BV3W10US2LBUXXX	—	—
3401	3019*	12"	—	BV3W12US2LAUXXX	—	—	BV3W12US2LBUXXX	—	—
		Assembly C		Assembly C		Assembly D		Assembly D	
58	54	2"	BV3W02FS2LCUXXX	—	—	BV3W02FS2LDUXXX	—	—	—
135	114	2-1/2"	BV3W25FS2LCUXXX	—	—	BV3W25FS2LDUXXX	—	—	—
165	148*	3"	BV3W03FS2LCUXXX	—	—	BV3W03FS2LDUXXX	—	—	—
419	348*	4"	BV3W04FS2LCUXXX	BV3W04US2LCUXXX	—	BV3W04FS2LDUXXX	BV3W04US2LDUXXX	—	—
740	600	5"	BV3W05FS2LCUXXX	BV3W05US2LCUXXX	—	BV3W05FS2LDUXXX	BV3W05US2LDUXXX	—	—
1051	867*	6"	BV3W06FS2LCUXXX	BV3W06US2LCUXXX	—	BV3W06FS2LDUXXX	BV3W06US2LDUXXX	—	—
1661	1424*	8"	—	BV3W08US2LCUXXX	—	—	BV3W08US2LDUXXX	—	—
2439	2132*	10"	—	BV3W10US2LCUXXX	—	—	BV3W10US2LDUXXX	—	—
3401	3019*	12"	—	BV3W12US2LCUXXX	—	—	BV3W12US2LDUXXX	—	—

120 V EP Valve

24 V EP Valve

### Table Note

\*3-through 12-inch valves only rotate 70° max.

These selection tables only contain lug end connections with standard trim.

For complete selection, refer to the current edition of *Master HVAC Products Catalog*.

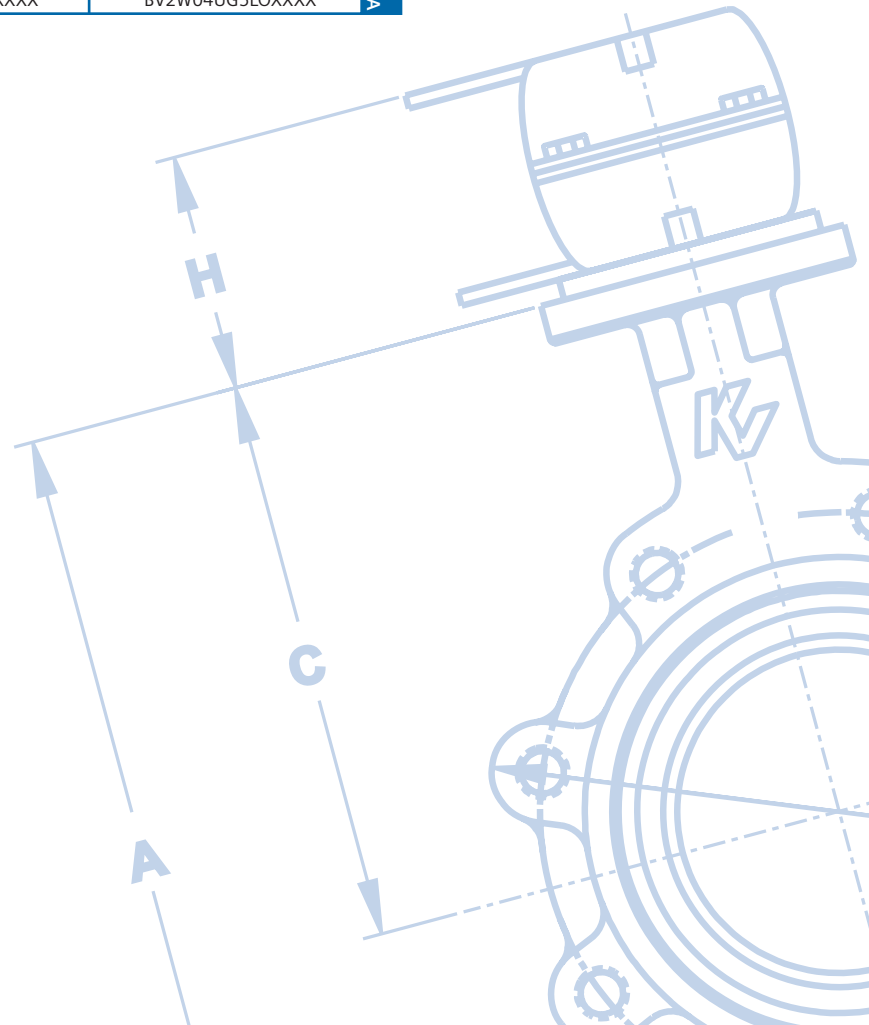
# 2 to 12" Siemens butterfly

## 2-way Electric SR

These selection tables only contain lug end connections with standard trim.

For complete selection, refer to the current edition of Master HVAC Products Catalog.

		Normally Closed (Fail Closed)	Normally Open (Fail Open)	
		100 psi Close-off		
Cv	Size	Part No.	Part No.	
60	2"	BV2W02UG1LCXXXX	BV2W02UG1LOXXXX	120 Vac On/Off
151	2-1/2"	BV2W25UG1LCXXXX	BV2W25UG1LOXXXX	
262	3"	BV2W03UG1LCXXXX	BV2W03UG1LOXXXX	
647	4"	BV2W04UG1LCXXXX	BV2W04UG1LOXXXX	
60	2"	BV2W02UG2LCXXXX	BV2W02UG2LOXXXX	24 Vac On/Off
151	2-1/2"	BV2W25UG2LCXXXX	BV2W25UG2LOXXXX	
262	3"	BV2W03UG2LCXXXX	BV2W03UG2LOXXXX	
647	4"	BV2W04UG2LCXXXX	BV2W04UG2LOXXXX	
60	2"	BV2W02UG3LCXXXX	BV2W02UG3LOXXXX	24 Vac Floating
151	2-1/2"	BV2W25UG3LCXXXX	BV2W25UG3LOXXXX	
262	3"	BV2W03UG3LCXXXX	BV2W03UG3LOXXXX	
647	4"	BV2W04UG3LCXXXX	BV2W04UG3LOXXXX	
60	2"	BV2W02UG4LCXXXX	BV2W02UG4LOXXXX	24 Vac Mod. 0-10 V
151	2-1/2"	BV2W25UG4LCXXXX	BV2W25UG4LOXXXX	
262	3"	BV2W03UG4LCXXXX	BV2W03UG4LOXXXX	
647	4"	BV2W04UG4LCXXXX	BV2W04UG4LOXXXX	
60	2"	BV2W02UG5LCXXXX	BV2W02UG5LOXXXX	24 Vac Mod. 4-20 mA
151	2-1/2"	BV2W25UG5LCXXXX	BV2W25UG5LOXXXX	
262	3"	BV2W03UG5LCXXXX	BV2W03UG5LOXXXX	
647	4"	BV2W04UG5LCXXXX	BV2W04UG5LOXXXX	



# 2 to 12" Siemens butterfly

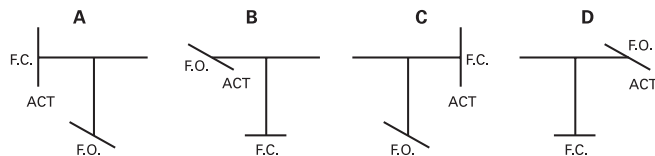
## 3-way Electric SR

			Assembly A	Assembly B	Assembly C	Assembly D	
Cv			100 psi Close-off	100 psi Close-off	100 psi Close-off	100 psi Close-off	
Run	Branch	Size	Part No.	Part No.	Part No.	Part No.	
58	54	2"	BV3W02UG1LAXXXX	BV3W02UG1LBXXXX	BV3W02UG1LCXXXX	BV3W02UG1LDXXXX	120 Vac On/Off
135	114	2-1/2"	BV3W25UG1LAXXXX	BV3W25UG1LBXXXX	BV3W25UG1LCXXXX	BV3W25UG1LDXXXX	
229	188	3"	BV3W03UG1LAXXXX	BV3W03UG1LBXXXX	BV3W03UG1LCXXXX	BV3W03UG1LDXXXX	
511	385	4"	BV3W04UG1LAXXXX	BV3W04UG1LBXXXX	BV3W04UG1LCXXXX	BV3W04UG1LDXXXX	
58	54	2"	BV3W02UG2LAXXXX	BV3W02UG2LBXXXX	BV3W02UG2LCXXXX	BV3W02UG2LDXXXX	24 Vac On/Off
135	114	2-1/2"	BV3W25UG2LAXXXX	BV3W25UG2LBXXXX	BV3W25UG2LCXXXX	BV3W25UG2LDXXXX	
229	188	3"	BV3W03UG2LAXXXX	BV3W03UG2LBXXXX	BV3W03UG2LCXXXX	BV3W03UG2LDXXXX	
511	385	4"	BV3W04UG2LAXXXX	BV3W04UG2LBXXXX	BV3W04UG2LCXXXX	BV3W04UG2LDXXXX	
58	54	2"	BV3W02UG3LAXXXX	BV3W02UG3LBXXXX	BV3W02UG3LCXXXX	BV3W02UG3LDXXXX	24 Vac Floating
135	114	2-1/2"	BV3W25UG3LAXXXX	BV3W25UG3LBXXXX	BV3W25UG3LCXXXX	BV3W25UG3LDXXXX	
229	188	3"	BV3W03UG3LAXXXX	BV3W03UG3LBXXXX	BV3W03UG3LCXXXX	BV3W03UG3LDXXXX	
511	385	4"	BV3W04UG3LAXXXX	BV3W04UG3LBXXXX	BV3W04UG3LCXXXX	BV3W04UG3LDXXXX	
58	54	2"	BV3W02UG4LAXXXX	BV3W02UG4LBXXXX	BV3W02UG4LCXXXX	BV3W02UG4LDXXXX	24 Vac Mod. 0-10 V
135	114	2-1/2"	BV3W25UG4LAXXXX	BV3W25UG4LBXXXX	BV3W25UG4LCXXXX	BV3W25UG4LDXXXX	
229	188	3"	BV3W03UG4LAXXXX	BV3W03UG4LBXXXX	BV3W03UG4LCXXXX	BV3W03UG4LDXXXX	
511	385	4"	BV3W04UG4LAXXXX	BV3W04UG4LBXXXX	BV3W04UG4LCXXXX	BV3W04UG4LDXXXX	
58	54	2"	BV3W02UG5LAXXXX	BV3W02UG5LBXXXX	BV3W02UG5LCXXXX	BV3W02UG5LDXXXX	24 Vac Mod. 4-20 mA
135	114	2-1/2"	BV3W25UG5LAXXXX	BV3W25UG5LBXXXX	BV3W25UG5LCXXXX	BV3W25UG5LDXXXX	
229	188	3"	BV3W03UG5LAXXXX	BV3W03UG5LBXXXX	BV3W03UG5LCXXXX	BV3W03UG5LDXXXX	
511	385	4"	BV3W04UG5LAXXXX	BV3W04UG5LBXXXX	BV3W04UG5LCXXXX	BV3W04UG5LDXXXX	

These selection tables only contain lug end connections with standard trim.

For complete selection, refer to the current edition of *Master HVAC Products Catalog*.

### 3-way Assembly Configurations



#### Key

- F.C. Fail Closed
- F.O. Fail Open
- ACT Actuator Location

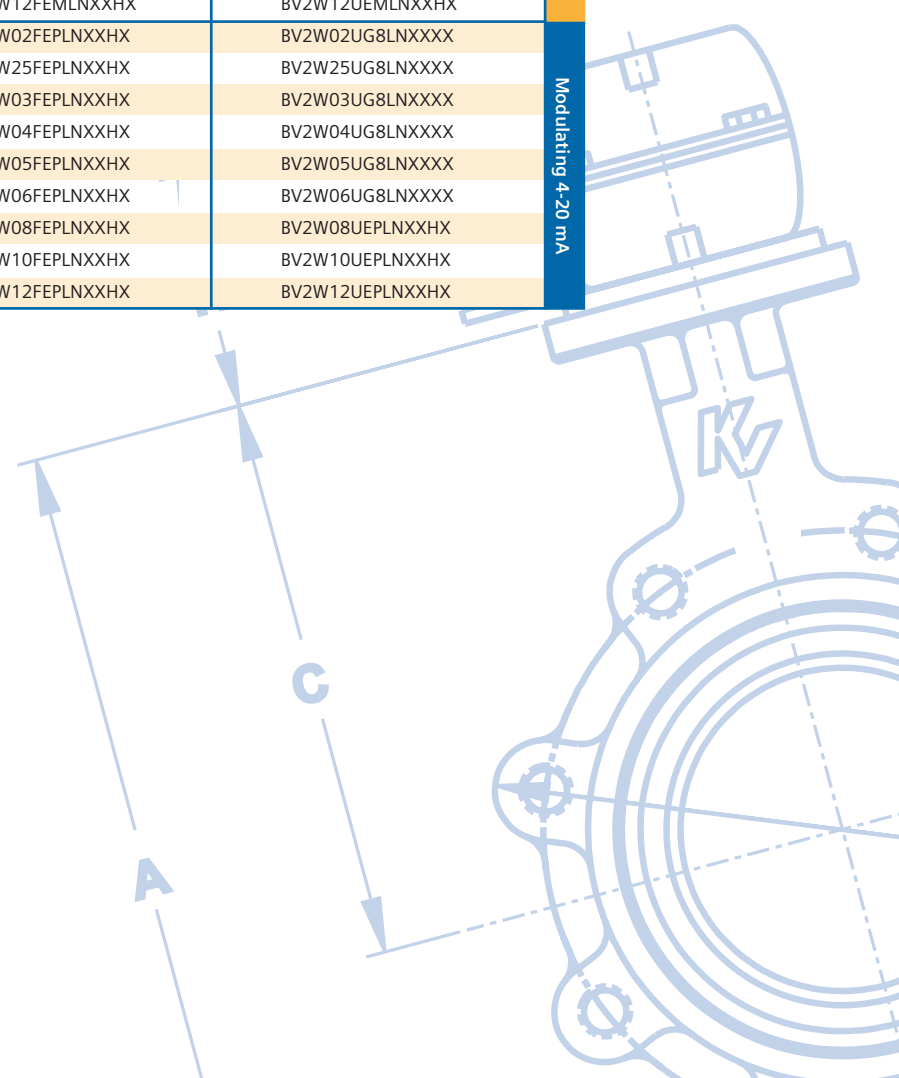
# 2 to 12" Siemens butterfly

## 2-way Electric NSR

These selection tables only contain lug end connections with standard trim.

For complete selection, refer to the current edition of Master HVAC Products Catalog.

Cv	Size	Non-Fail Safe	Non-Fail Safe	
		150 psi Close-off, 120 Vac	2-6 100 psi Close-off, 24 Vac 8-12 50 psi Close-off, 120 Vac	
		Part No.	Part No.	
60	2"	BV2W02FE2LNXXXX	BV2W02UG6LNXXXX	Floating/2-position
151	2-1/2"	BV2W25FE2LNXXXX	BV2W25UG6LNXXXX	
262	3"	BV2W03FE2LNXXXX	BV2W03UG6LNXXXX	
647	4"	BV2W04FE2LNXXXX	BV2W04UG6LNXXXX	
1141	5"	BV2W05FE2LNXXXX	BV2W05UG6LNXXXX	
1580	6"	BV2W06FE2LNXXXX	BV2W06UG6LNXXXX	
2892	8"	BV2W08FE2LNXXXX	BV2W08UE2LNXXXX	
4593	10"	BV2W10FE2LNXXXX	BV2W10UE2LNXXXX	Modulating 0-10 V
6682	12"	BV2W12FE2LNXXXX	BV2W12UE2LNXXXX	
60	2"	BV2W02FEMLNXXHX	BV2W02UG7LNXXXX	
151	2-1/2"	BV2W25FEMLNXXHX	BV2W25UG7LNXXXX	
262	3"	BV2W03FEMLNXXHX	BV2W03UG7LNXXXX	
647	4"	BV2W04FEMLNXXHX	BV2W04UG7LNXXXX	
1141	5"	BV2W05FEMLNXXHX	BV2W05UG7LNXXXX	
1580	6"	BV2W06FEMLNXXHX	BV2W06UG7LNXXXX	Modulating 4-20 mA
2892	8"	BV2W08FEMLNXXHX	BV2W08UEMLNXXHX	
4593	10"	BV2W10FEMLNXXHX	BV2W10UEMLNXXHX	
6682	12"	BV2W12FEMLNXXHX	BV2W12UEMLNXXHX	
60	2"	BV2W02FEPLNXXHX	BV2W02UG8LNXXXX	
151	2-1/2"	BV2W25FEPLNXXHX	BV2W25UG8LNXXXX	
262	3"	BV2W03FEPLNXXHX	BV2W03UG8LNXXXX	
647	4"	BV2W04FEPLNXXHX	BV2W04UG8LNXXXX	
1141	5"	BV2W05FEPLNXXHX	BV2W05UG8LNXXXX	
1580	6"	BV2W06FEPLNXXHX	BV2W06UG8LNXXXX	
2892	8"	BV2W08FEPLNXXHX	BV2W08UEPLNXXHX	
4593	10"	BV2W10FEPLNXXHX	BV2W10UEPLNXXHX	
6682	12"	BV2W12FEPLNXXHX	BV2W12UEPLNXXHX	



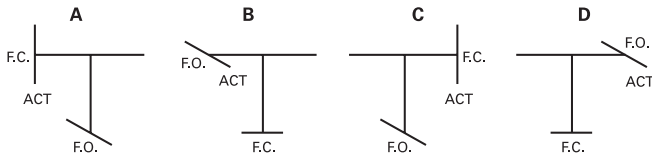
# 2 to 12" Siemens butterfly

## 3-way Electric NSR

			Assembly A		Assembly B	
Cv			150 psi Close-off, 120 Vac		100 psi Close-off, 24 Vac 50 psi Close-off, 120 Vac	
Run	Branch	Size	Part No.	Part No.	Part No.	Part No.
58	54	2"	BV3W02FE2LAXXXX	BV3W02UG6LAXXXX	BV3W02FE2LBXXXX	BV3W02UG6LBXXXX
135	114	2-1/2"	BV3W25FE2LAXXXX	BV3W25UG6LAXXXX	BV3W25FE2LBXXXX	BV3W25UG6LBXXXX
229	188	3"	BV3W03FE2LAXXXX	BV3W03UG6LAXXXX	BV3W03FE2LBXXXX	BV3W03UG6LBXXXX
511	385	4"	BV3W04FE2LAXXXX	BV3W04UG6LAXXXX	BV3W04FE2LBXXXX	BV3W04UG6LBXXXX
870	642	5"	BV3W05FE2LAXXXX	BV3W05UG6LAXXXX	BV3W05FE2LBXXXX	BV3W05UG6LBXXXX
1242	935	6"	BV3W06FE2LAXXXX	BV3W06UG6LAXXXX	BV3W06FE2LBXXXX	BV3W06UG6LBXXXX
2254	1688	8"	BV3W08FE2LAXXXX	BV3W08UE2LAXXXX	BV3W08FE2LBXXXX	BV3W08UE2LBXXXX
3570	2667	10"	BV3W10FE2LAXXXX	BV3W10UE2LAXXXX	BV3W10FE2LBXXXX	BV3W10UE2LBXXXX
5240	3938	12"	BV3W12FE2LAXXXX	BV3W12UE2LAXXXX	BV3W12FE2LBXXXX	BV3W12UE2LBXXXX
			Assembly C		Assembly D	
58	54	2"	BV3W02FE2LCXXXX	BV3W02UG6LCXXXX	BV3W02FE2LDXXXX	BV3W02UG6LDXXXX
135	114	2-1/2"	BV3W25FE2LCXXXX	BV3W25UG6LCXXXX	BV3W25FE2LDXXXX	BV3W25UG6LDXXXX
229	188	3"	BV3W03FE2LCXXXX	BV3W03UG6LCXXXX	BV3W03FE2LDXXXX	BV3W03UG6LDXXXX
511	385	4"	BV3W04FE2LCXXXX	BV3W04UG6LCXXXX	BV3W04FE2LDXXXX	BV3W04UG6LDXXXX
870	642	5"	BV3W05FE2LCXXXX	BV3W05UG6LCXXXX	BV3W05FE2LDXXXX	BV3W05UG6LDXXXX
1242	935	6"	BV3W06FE2LCXXXX	BV3W06UG6LCXXXX	BV3W06FE2LDXXXX	BV3W06UG6LDXXXX
2254	1688	8"	BV3W08FE2LCXXXX	BV3W08UE2LCXXXX	BV3W08FE2LDXXXX	BV3W08UE2LDXXXX
3570	2667	10"	BV3W10FE2LCXXXX	BV3W10UE2LCXXXX	BV3W10FE2LDXXXX	BV3W10UE2LDXXXX
5240	3938	12"	BV3W12FE2LCXXXX	BV3W12UE2LCXXXX	BV3W12FE2LDXXXX	BV3W12UE2LDXXXX

Floating 2-position

### 3-way Assembly Configurations



**Key**  
**F.C.** Fail Closed  
**F.O.** Fail Open  
**ACT** Actuator Location

These selection tables only contain lug end connections with standard trim.

For complete selection, refer to the current edition of *Master HVAC Products Catalog*.

# 2 to 12" Siemens butterfly

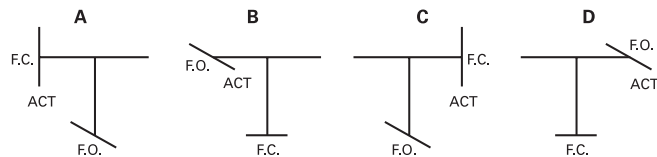
## 3-way Electric NSR

			Assembly A		Assembly A		Assembly B		Assembly B	
Cv			150 psi Close-off		100 psi Close-off, 24 Vac 50 psi Close-off, 120 Vac		150 psi Close-off, 120 Vac		100 psi Close-off, 24 Vac 50 psi Close-off, 120 Vac	
Run	Branch	Size	Part No.	Fig.	Part No.	Fig.	Part No.	Fig.	Part No.	Fig.
58	54	2"	BV3W02FEMLAXXHX	6	BV3W02UG7LAXXXX	4	BV3W02FEMLBXXHX	6	BV3W02UG7LBXXXX	4
135	114	2-1/2"	BV3W25FEMLAXXHX	6	BV3W25UG7LAXXXX	4	BV3W25FEMLBXXHX	6	BV3W25UG7LBXXXX	4
229	188	3"	BV3W03FEMLAXXHX	6	BV3W03UG7LAXXXX	4	BV3W03FEMLBXXHX	6	BV3W03UG7LBXXXX	4
511	385	4"	BV3W04FEMLAXXHX	6	BV3W04UG7LAXXXX	4	BV3W04FEMLBXXHX	6	BV3W04UG7LBXXXX	4
870	642	5"	BV3W05FEMLAXXHX	6	BV3W05UG7LAXXXX	4	BV3W05FEMLBXXHX	6	BV3W05UG7LBXXXX	4
1242	935	6"	BV3W06FEMLAXXHX	6	BV3W06UG7LAXXXX	4	BV3W06FEMLBXXHX	6	BV3W06UG7LBXXXX	4
2254	1688	8"	BV3W08FEMLAXXHX	6	BV3W08UEMLAXXHX	6	BV3W08FEMLBXXHX	6	BV3W08UEMLBXXHX	6
3570	2667	10"	BV3W10FEMLAXXHX	6	BV3W10UEMLAXXHX	6	BV3W10FEMLBXXHX	6	BV3W10UEMLBXXHX	6
5240	3938	12"	BV3W12FEMLAXXHX	6	BV3W12UEMLAXXHX	6	BV3W12FEMLBXXHX	6	BV3W12UEMLBXXHX	6
			Assembly C		Assembly C		Assembly D		Assembly D	
58	54	2"	BV3W02FEMLCXXHX	6	BV3W02UG7LCXXXX	4	BV3W02FEMLDXXHX	6	BV3W02UG7LDXXXX	4
135	114	2-1/2"	BV3W25FEMLCXXHX	6	BV3W25UG7LCXXXX	4	BV3W25FEMLDXXHX	6	BV3W25UG7LDXXXX	4
229	188	3"	BV3W03FEMLCXXHX	6	BV3W03UG7LCXXXX	4	BV3W03FEMLDXXHX	6	BV3W03UG7LDXXXX	4
511	385	4"	BV3W04FEMLCXXHX	6	BV3W04UG7LCXXXX	4	BV3W04FEMLDXXHX	6	BV3W04UG7LDXXXX	4
870	642	5"	BV3W05FEMLCXXHX	6	BV3W05UG7LCXXXX	4	BV3W05FEMLDXXHX	6	BV3W05UG7LDXXXX	4
1242	935	6"	BV3W06FEMLCXXHX	6	BV3W06UG7LCXXXX	4	BV3W06FEMLDXXHX	6	BV3W06UG7LDXXXX	4
2254	1688	8"	BV3W08FEMLCXXHX	6	BV3W08UEMLCXXHX	6	BV3W08FEMLDXXHX	6	BV3W08UEMLDXXHX	6
3570	2667	10"	BV3W10FEMLCXXHX	6	BV3W10UEMLCXXHX	6	BV3W10FEMLDXXHX	6	BV3W10UEMLDXXHX	6
5240	3938	12"	BV3W12FEMLCXXHX	6	BV3W12UEMLCXXHX	6	BV3W12FEMLDXXHX	6	BV3W12UEMLDXXHX	6
			Assembly A		Assembly A		Assembly B		Assembly B	
58	54	2"	BV3W02FEPLAXXHX	6	BV3W02UG8LAXXXX	4	BV3W02FEPLBXXHX	6	BV3W02UG8LBXXXX	4
135	114	2-1/2"	BV3W25FEPLAXXHX	6	BV3W25UG8LAXXXX	4	BV3W25FEPLBXXHX	6	BV3W25UG8LBXXXX	4
229	188	3"	BV3W03FEPLAXXHX	6	BV3W03UG8LAXXXX	4	BV3W03FEPLBXXHX	6	BV3W03UG8LBXXXX	4
511	385	4"	BV3W04FEPLAXXHX	6	BV3W04UG8LAXXXX	4	BV3W04FEPLBXXHX	6	BV3W04UG8LBXXXX	4
870	642	5"	BV3W05FEPLAXXHX	6	—	4	BV3W05FEPLBXXHX	6	—	4
1242	935	6"	BV3W06FEPLAXXHX	6	—	4	BV3W06FEPLBXXHX	6	—	4
2254	1688	8"	BV3W08FEPLAXXHX	6	BV3W08UEPLAXXHX	6	BV3W08FEPLBXXHX	6	BV3W08UEPLBXXHX	6
3570	2667	10"	BV3W10FEPLAXXHX	6	BV3W10UEPLAXXHX	6	BV3W10FEPLBXXHX	6	BV3W10UEPLBXXHX	6
5240	3938	12"	BV3W12FEPLAXXHX	6	BV3W12UEPLAXXHX	6	BV3W12FEPLBXXHX	6	BV3W12UEPLBXXHX	6
			Assembly C		Assembly C		Assembly D		Assembly D	
58	54	2"	BV3W02FEPLCXXHX	6	BV3W02UG8LCXXXX	4	BV3W02FEPLDXXHX	6	BV3W02UG8LDXXXX	4
135	114	2-1/2"	BV3W25FEPLCXXHX	6	BV3W25UG8LCXXXX	4	BV3W25FEPLDXXHX	6	BV3W25UG8LDXXXX	4
229	188	3"	BV3W03FEPLCXXHX	6	BV3W03UG8LCXXXX	4	BV3W03FEPLDXXHX	6	BV3W03UG8LDXXXX	4
511	385	4"	BV3W04FEPLCXXHX	6	BV3W04UG8LCXXXX	4	BV3W04FEPLDXXHX	6	BV3W04UG8LDXXXX	4
870	642	5"	BV3W05FEPLCXXHX	6	—	4	BV3W05FEPLDXXHX	6	—	4
1242	935	6"	BV3W06FEPLCXXHX	6	—	4	BV3W06FEPLDXXHX	6	—	4
2254	1688	8"	BV3W08FEPLCXXHX	6	BV3W08UEPLCXXHX	6	BV3W08FEPLDXXHX	6	BV3W08UEPLDXXHX	6
3570	2667	10"	BV3W10FEPLCXXHX	6	BV3W10UEPLCXXHX	6	BV3W10FEPLDXXHX	6	BV3W10UEPLDXXHX	6
5240	3938	12"	BV3W12FEPLCXXHX	6	BV3W12UEPLCXXHX	6	BV3W12FEPLDXXHX	6	BV3W12UEPLDXXHX	6

Modulating 0-10 V

Modulating 4-20 mA

### 3-way Assembly Configurations



**Key**  
 F.C. Fail Closed  
 F.O. Fail Open  
 ACT Actuator Location

These selection tables only contain lug end connections with standard trim.

For complete selection, refer to the current edition of *Master HVAC Products Catalog*.